

ANTINTRUSION



ELKRON. THE HI-PROTECTION COMPANY

ELKRON

WIRE ALARM SYSTEM

MP 105	page 15
MP 106TG/V	page 18
MP 1 10	page 24
MP 120	page 30
MP508	page 36
MP200	page 44



WIRE ALARM SYSTEM

MP105 SYSTEM

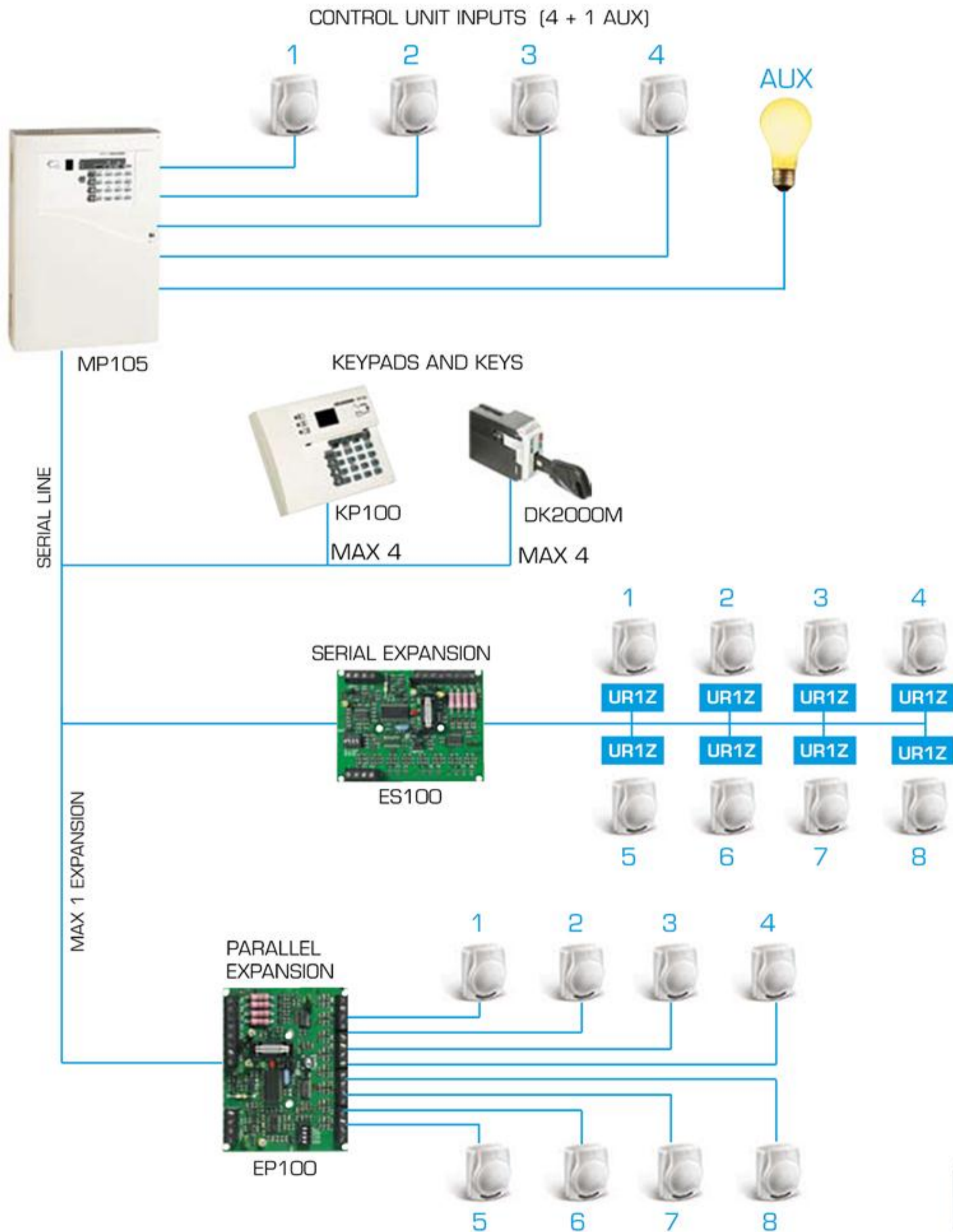


WIRE ALARM SYSTEMS

MP105 SYSTEM: FROM 4 UP TO 12 INPUTS

FOR SMALL SIZE SYSTEMS

To make small and medium dimension products, Elkron's microprocessor technology provides MP105, the 4 alarm zone system expandable up to 12. The system is manageable through in-built keypad (with 4 access codes), remote keypad, electronic digital key or mechanical key. It is possible to part set the device in 2 sectors and transmit the alarm through telephone line, thanks to the optional communicator. Remote keypad, the expansion and the electronic keys dialogue on the serial line.



WIRE ALARM SYSTEMS

MP105 SYSTEM: FROM 4 UP TO 12 INPUTS

Control Unit

MP105 cod. MP9700111

Wire control unit suitable to make small and medium size systems with 4 inputs expandable up to 12.

- Control unit suitable to make small size system provided with 4 alarm zones programmable as instantaneous, delayed, last exit, chime, with
- Programmable part set in 2 groups
- 1 auxiliary input programmable for theft, panic, technological, fire, alarms
- 1 system self protection input.
- 1 mechanical key input
- Setting/unsetting through built-in keypad, remote keypad, built-in electronic key module, mechanical key.
- 4 different codes are available: master user's, user's 2, engineering's, telemonitoring
- Warning for: network presence, battery low, system status, tampering, open inputs, inputs disabled
- Entry time, exit time, alarm time adjustable
- CHIME FACILITY: possibility to enable, when the system is off, the sound of a buzzer when a door or window opens
- Alarm count for each input (programmable)
- Serial/parallel expansion: 1 max
- Remote keypoints for electronic keys: 4 max.
- Remote keypads: 4 max.
- Allocable battery: 12 Vdc - 6 Ah
- Power supply: 1,1 A
- Dimensions (H x W x D): 345 x 240 x 79 mm



MP105

Control Items

KP100 cod. KP2100211

Backlit remote keypad

- Remote keypad connected through dedicated serial line; featuring segment display and warning leds.
- 4 remote keypads can be installed as a maximum.
- Dimensions (H x W x D): 108 x 140 x 45 mm.



KP100

DK2000M cod. DK2000111

Key reader for electronic digital key (black)

- Key reader connected through dedicated serial line
- White version code DK2000M/B - DK2400111.
- Dimensions (H x W x D): 40 x 20 x 50 mm.



DK2000M

DK20 cod. DK1700111

Electronic digital key

- Programmable key to receive a code (more than 4 milliards of combinations available) generated by the control unit at random. Therefore, the number of keys that can be programmed with the same code is unlimited.
- Through the electronic key DK20 it is possible to enable/disable the system totally or partially.



DK20



WIRE ALARM SYSTEMS

MP105 SYSTEM: FROM 4 UP TO 12 INPUTS

Expansions

ES100 cod. MP7310111

8 serial input extension unit

- Expansion from 8 alarm zones, Takes a BUS on output for connecting the interface modules which can be placed inside the detectors (UR1Z) and capable of taking back to the control unit the alarm and tamper information for every detector.
- Inputs of parallel expansions are programmable as instantaneous or delayed and they can be memorized, excluded and associated to the managed sectors.
- The expansions are connected through dedicated serial line



ES100

EP100 cod. MP7210111

8 parallel input extension unit

- Allows traditional detector connection (parallel).
- Inputs of expansions are programmable as instantaneous or delayed and they can be memorized, excluded and associated to the managed sectors.
- The expansions are connected through dedicated serial line



EP100

UR1Z cod. MP6110111

Serial interface module for ES100.

- It can be placed inside the detectors



IV4Z

Accessories

IV 4Z cod. MP9610111

Interface board equipped with 4 storable alarms inputs and 4 electric outputs, one for each input. The board transforms the fast signals coming from equipment such as vibrators, shutter sensors, etc into signals manageable by alarm control unit



CP4F

CP 4F cod. MP5900111

Plastic Box

- Prearranged to contain ES100, EP100, and IV4Z modules.
- Dimensions (H x W x D): 189 x 110 x 30 mm.

CP8Z cod. MP7400111

Plastic Box

- Prearranged to contain ES100, EP100, and IV4Z modules.
- Dimensions (H x W x D): 245 x 185 x 70 mm.



CP8Z



WIRE ALARM SYSTEM

MP106TGV SYSTEM

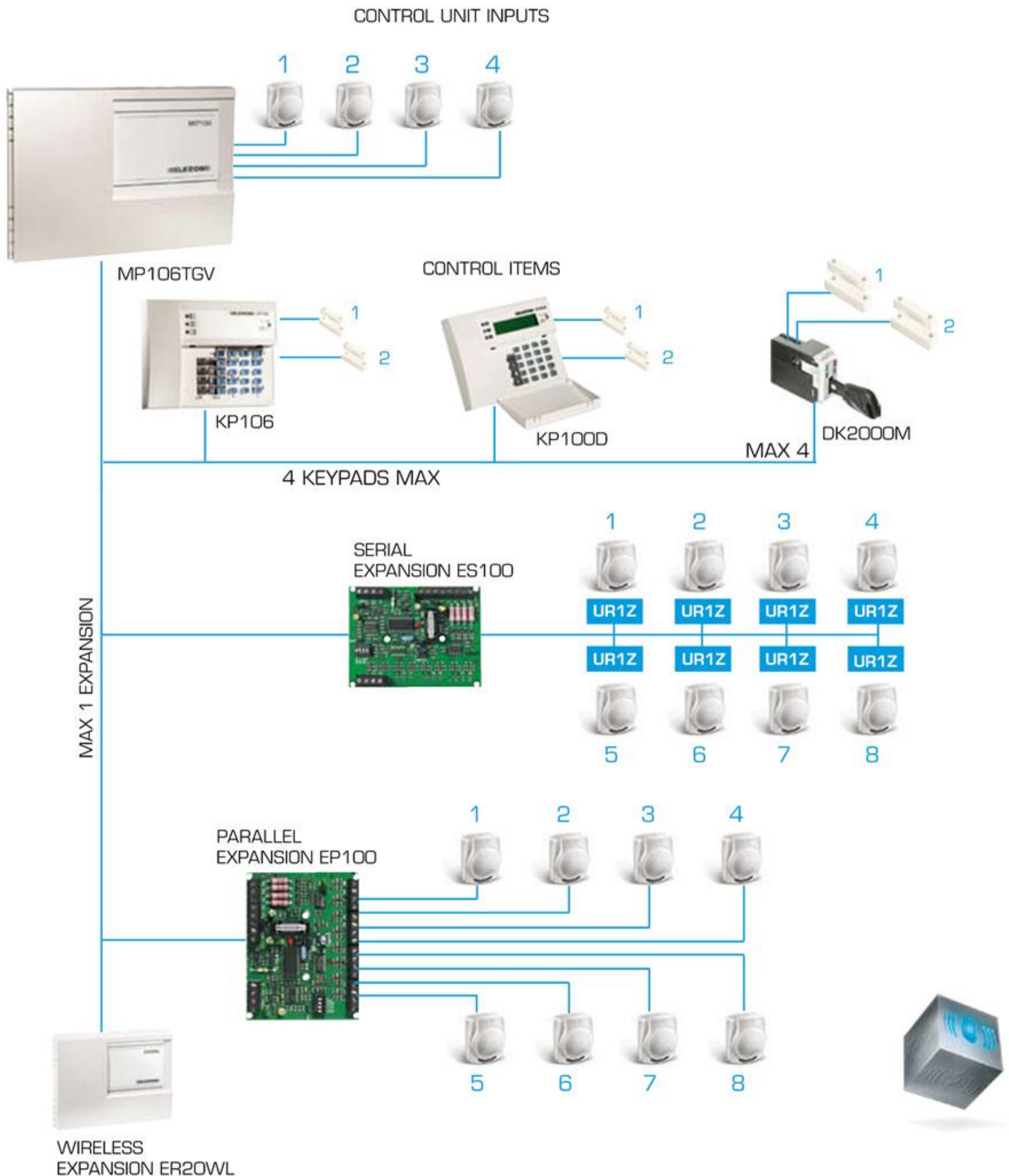


WIRE ALARM SYSTEMS

MP106TG/V: FROM 4 UP TO 28 INPUTS

FOR SMALL SIZE ALARM SYSTEMS

The MP106 system permits to manage 4 zones of alarm in the base version, and reaches up to 28 with optional expansion, or using the alarm zones present on each keypad or on each electronic reader. It is possible to part set the system in 3 sectors. MP106 is manageable through remote keypad and/or electronic key connected to the serial line. The alarms can be transmitted on the telephone line with main communication protocols or through pre-recorded messages thanks to the voice synthesis. The system can be directly uploaded or downloaded by PC, through USB interface and it is also Tele-manageable remotely or via modem.



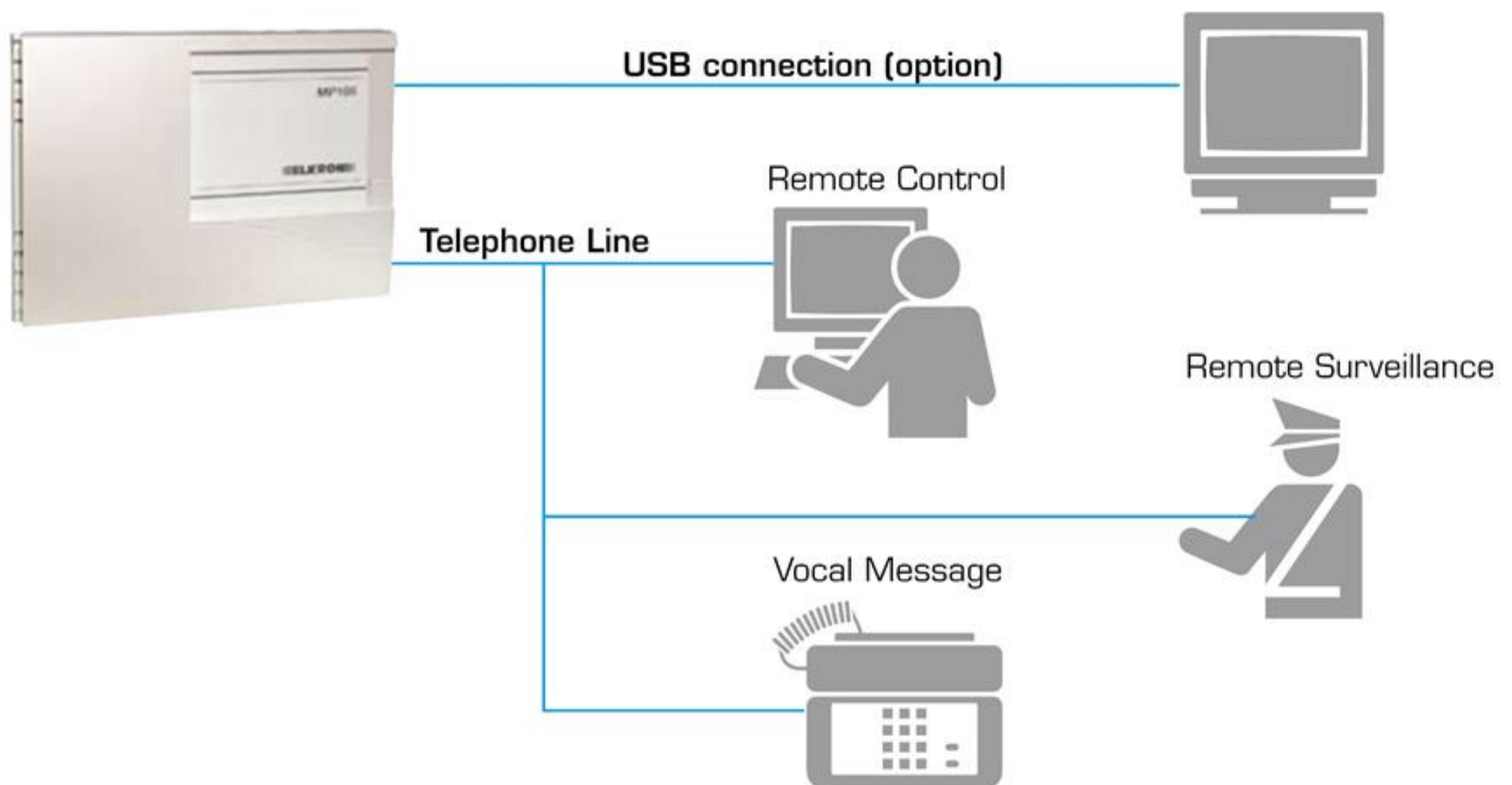
WIRE ALARM SYSTEMS

PROGRAMMABLE PART SET



The system can be subdivided into 3 independently armed partitions.

REMOTE CONTROL - ALARM TRANSMISSION



FASTLINK SOFTWARE

SYSTEM LOCALLY PROGRAMMABLE FROM PC OR REMOTELY PROGRAMMABLE VIA MODEM OVER TELEPHONE LINE

Data uploading and downloading through a dedicated easy-to-use, user-friendly running over Windows. The same software is already in use for remote management of other Elkron Systems. This software permits to record and classify customers, systems and operators. It also permits the following: remote control panel programming, control panel program downloading, program verification and editing, program uploading to control panel, system event log downloading, real time checking of system, input, output, battery and fuse status.



WIRE ALARM SYSTEMS

MP106TG/V: FROM 4 UP TO 28 INPUTS

Alarm Control Unit

MP106TG/V cod. MP9K00111(A) GB/E/P

MP106TG/V cod. MP6K00111(C) I/F/D

Wire control unit for medium size plants equipped with 4 zones expandable up to 28.

- Wire control unit for small size plants equipped with 4 zones max + 1 tamper input + 1 mechanical key input. Expandable up to 28 zones + zones 24H + 4 AUX
- 2 programmable alarm outputs: 1 open collector electric outputs and 1 relay output with free exchange.
- Inputs can be partialized into 3 sectors
- Possibility of controlling up to 4 readers, 4 keyboards and 4 expansions for inputs/outputs via dedicated serial line (4 conductors)
- 8 supplementary alarm zones + 1 tamper input + 1 auxiliary input in every input expansion which may be of parallel type (EP100) or serial type (ES100). Every expansion is also equipped with 4 open collector electric outputs. The inputs can be further expanded through the wireless expansion ER2OWL.
- 2 additional alarm zones in every reader and in every remote keyboard
- Programmable zones such as THEFT (instant, delayed, last output, GONG), Technologic, Fire, Silent panic, panic with sirens.
- Activation and deactivation via LCD display remote keyboard (with clear message visualization), led remote keyboard, integrated electronic key, mechanical key.
- Signalling of :general alarm, failure, mains presence, low battery, plant status, tamper alarm,inputs open, inputs cut off. Signalling is provided by means of leds and/or display.
- 8 user access codes are available: MASTER code, installer code, remote surveillance code, user code 2, 5, 6, 7 and 8.
- Max 64 events can be memorized.
- Alarm transmission integrated in the control unit with 6 23-digit telephone numbers communicator Multiprotocol digital transmission on 8 programmable channels. Voice transmission with 9 messages (1 base message + 8 alarm messages)
- Programmable with KP100 led keyboard and KP100D keyboard.
- Programmable through local/remote PC and Fast Link software.
- Programmable commutating lock functions with open zones and zone self-bypassing.
- Max length of unit-peripheral serial line: 500 meters (2x0.75 cable sect.for feeder + 2 x 0.22 x data).
- Degree of protection provided by casing: IP30/ IK 02.
- Allocable battery (plastic box): 12 Vdc 2,2 Ah.
- Switching power supply: 1 A.
- Dimensions (H x W x D): 245 x 185 x 70 mm.



MP106TG/V



WIRE ALARM SYSTEMS

MP106TG/V: FROM 4 UP TO 28 INPUTS

Control Items

KP106 cod. KP3500111

Remote keypad

- Remote keyboard connected on dedicated serial line
- Max 4 keyboard installable
- Degree of protection provided by casing: IP30/ IK 02.
- Dimensions (H x W x D): 108 x 140 x 45 mm.



KP106

KP100D cod. KP2200111

Backlit remote keypad with LCD display.

- Remote keyboard connected on dedicated serial line, equipped with 16-character display with clear message signalling and signalling leds.
- 2 on-board additional alarm zones.
- Max 4 keyboard installable
- Degree of protection provided by casing: IP30/ IK 02.
- Dimensions (H x W x D): 108 x 140 x 45 mm.



KP100D

DK2000M cod. DK2000111

Key reader for electronic digital key (black)

- Reader connectable on dedicated serial line.
- Max number of readers connectable to MP110 system: 4.
- Max number of programmable DK20 keys Unlimited.
- White version code DK2000M/B - DK2400111.
- Dimensions (H x W x D): 40 x 20 x 50 mm.



2° level

DK20 cod. DK1700111

Electronic digital key

- Programmable key to receive a code (more than 4 milliards of combinations available) generated by the control unit at random. Therefore, the number of keys that can be programmed with the same code is unlimited.
- Through the electronic key DK20 it is possible to enable/disable the system totally or partially.



DK2000M

2° level

Software for remote control

FAST-LINK cod. SW1300111

Data uploading and downloading through a dedicated, easy to use, user-friendly software running under Windows™



DK20

2° level

MODEM cod. CT3900113

External modem to connect to PC for telemonitoring functions



WIRE ALARM SYSTEMS

MP106TG/V: FROM 4 UP TO 28 INPUTS

Expansions

ES100 cod. MP7310111

8 serial input extension unit

- Expansion from 8 alarm zones, Takes a BUS on output for connecting the interface modules which can be placed inside the detectors (UR1Z) and capable of taking back to the control unit the alarm and tamper information for every detector.
- Inputs of parallel expansions are programmable as instantaneous or delayed and they can be memorized, excluded and associated to the managed sectors.
- The expansions are connected through dedicated serial line



ES100

EP100 cod. MP7210111

8 parallel input extension unit

- Allows traditional detector connection (parallel).
- Inputs of expansions are programmable as instantaneous or delayed and they can be memorized, excluded and associated to the managed sectors.
- The expansions are connected through dedicated serial line



EP100



2° level

UR1Z cod. MP6110111

Serial interface module for ES100.

- It can be placed inside the detectors

Accessories

IT USB cod. MP9H10111

Interface module for connecting the control unit to the PC



IT4Z

MR 02 cod. MP7910111

2 relais module for TTL o OPEN COLLECTOR NH/NL electrical outputs

IV 4Z cod. MP9610111

Interface board equipped with 4 storable alarms inputs and 4 electric outputs, one for each input. The board transforms the fast signals coming from equipment such as vibrators, shutter sensors, etc into signals manageable by alarm control unit



WIRE ALARM SYSTEMS

MP110 SYSTEM

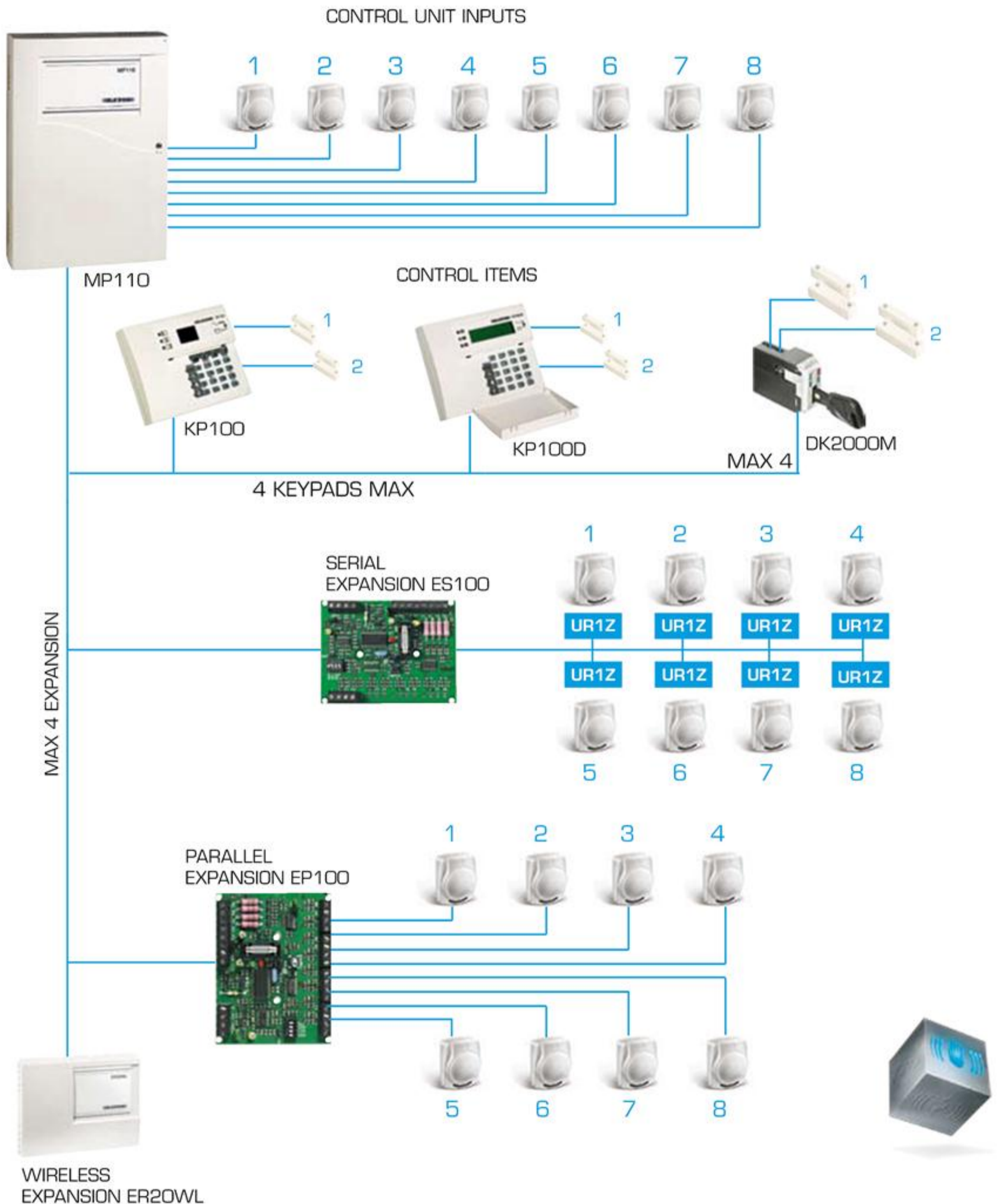


WIRE ALARM SYSTEMS

MP110: FROM 8 UP TO 56 INPUTS

FOR MIDDLE SIZE ALARM SYSTEMS

It is ideal for the device of medium extension, the MP110 system permits to manage 8 zones of alarm in the base version, and reaches up to 56 with optional expansion, or using the alarm zones present on each keypad or on each electronic reader. It is possible to part set the system in 3 sectors. MP110 is manageable through remote keypad and/or electronic key connected to the serial line. The alarms can be transmitted on the telephone line with main communication protocols or through pre-recorded messages thanks to the optional voice synthesis card. The system can be directly uploaded or downloaded by PC, through RS232 serial door and it is also Tele-manageable remotely or via modem.



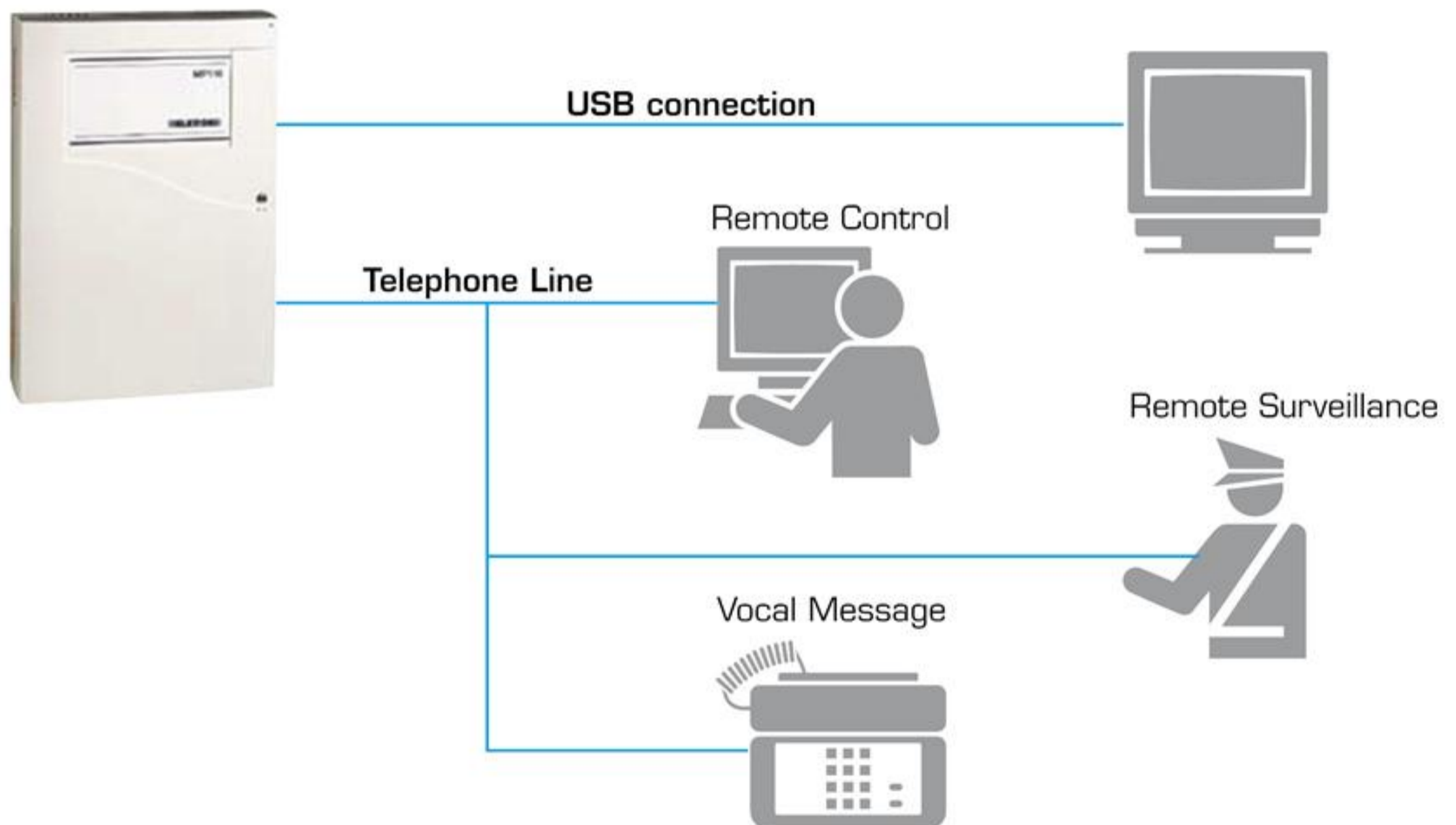
WIRE ALARM SYSTEMS

PROGRAMMABLE PART SET



The system can be subdivided into 3 independently armed partitions.

REMOTE CONTROL - ALARM TRANSMISSION



FASTLINK SOFTWARE

SYSTEM LOCALLY PROGRAMMABLE FROM PC OVER RS232 LINE OR REMOTELY PROGRAMMABLE VIA MODEM OVER TELEPHONE LINE

Data uploading and downloading through a dedicated easy-to-use, user-friendly running over Windows. The same software is already in use for remote management of other Elkron Systems. This software permits to record and classify customers, systems and operators. It also permits the following: remote control panel programming, control panel program downloading, program verification and editing, program uploading to control panel, system event log downloading, real time checking of system, input, output, battery and fuse status.



WIRE ALARM SYSTEMS

MP110: FROM 8 UP TO 56 INPUTS

Alarm Control Unit

MP110 cod. MP1A00211

Wire control unit for medium size plants equipped with 8 zones expandable up to 56.

- Wire control unit for small and medium size plants equipped with 8 zones max + 1 tamper input + 1 mechanical key input. Expandable up to 56 zones + zones 24H + 4 AUX
- 5 programmable alarm outputs: 4 open collector electric outputs and 1 relay output with free exchange.
- Inputs can be partialized into 3 sectors
- Possibility of controlling up to 4 readers, 4 keyboards and 4 expansions for inputs/outputs via dedicated serial line (4 conductors)
- 8 supplementary alarm zones + 1 tamper input + 1 auxiliary input in every input expansion which may be of parallel type (EP100) or serial type (ES100). Every expansion is also equipped with 4 open collector electric outputs. The inputs can be further expanded through the wireless expansion ER2OWL.
- 2 additional alarm zones in every reader and in every remote keyboard
- Programmable zones such as THEFT (instant, delayed, last output, GONG), Technologic, Fire, Silent panic, panic with sirens.
- Activation and deactivation via LCD display remote keyboard (with clear message visualization), led remote keyboard, integrated electronic key, mechanical key.
- Signalling of :general alarm, failure, mains presence, low battery, plant status, tamper alarm,inputs open, inputs cut off. Signalling is provided by means of leds and/or display.
- 8 user access codes are available: MASTER code, installer code, remote surveillance code, user code 2, 5, 6, 7 and 8.
- Max 64 events can be memorized.
- Alarm transmission integrated in the control unit (MP110TG version) with 6 23-digit telephone numbers communicator Multiprotocol digital transmission on 8 programmable channels. Optional voice transmission (with SV108+KV100 module) with 9 messages (1 base message + 8 alarm messages)
- Programmable with KP100 led keyboard and KP100D keyboard.
- Programmable through local/remote PC and Fast Link software.
- Programmable commutating lock functions with open zones and zone self-bypassing.
- Max length of unit-peripheral serial line: 500 meters (2x0.75 cable sect.for feeder + 2 x 0.22 x data).
- Degree of protection provided by casing: IP30/ IK 02.
- Allocable battery (plastic box): 12 Vdc 6 Ah.
- Switching power supply: 1,5 A.
- Dimensions (H x W x D): 345 x 240 x 79 mm.

MP110TG cod. MP2A00211

Same as MP110 but with alarm transmission through communicator integrated.

- Vocal transmission in option through SV108.

MP110M cod. MP5A00211

Same as MP110 but in metallic box and 2,2 A power supply.

- Dimensions (H x W x D): 318 x 422 x 91 mm.



MP110 - MP110TG/A



2° level



MP110M



2° level



WIRE ALARM SYSTEMS

MP110: FROM 8 UP TO 56 INPUTS

Control Items

KP100 cod. KP2100211

Backlit remote keypad with 2 led digit display.

- Remote keyboard connected on dedicated serial line, equipped with 2 led digits and signalling leds.
- 2 on-board additional alarm zones.
- Max 4 keyboard installable
- Degree of protection provided by casing: IP30/ IK 02.
- Dimensions (H x W x D): 108 x 140 x 45 mm.



KP100



KP100D cod. KP2200111

Backlit remote keypad with LCD display.

- Remote keyboard connected on dedicated serial line, equipped with 16-character display with clear message signalling and signalling leds.
- 2 on-board additional alarm zones.
- Max 4 keyboard installable
- Degree of protection provided by casing: IP30/ IK 02.
- Dimensions (H x W x D): 108 x 140 x 45 mm.



KP100D



DK2000M cod. DK2000111

Key reader for electronic digital key (black)

- Reader connectable on dedicated serial line.
- Max number of readers connectable to MP110 system: 4.
- Max number of programmable DK20 keys Unlimited.
- White version code DK2000M/B - DK2400111.
- Dimensions (H x W x D): 40 x 20 x 50 mm.



DK2000M



DK20 cod. DK1700111

Electronic digital key

- Programmable key to receive a code (more than 4 milliards of combinations available) generated by the control unit at random. Therefore, the number of keys that can be programmed with the same code is unlimited.
- Through the electronic key DK20 it is possible to enable/disable the system totally or partially.



DK20



Software for remote control

FAST-LINK cod. SW1300111

Data uploading and downloading through a dedicated, easy to use, user-friendly software running under Windows™

MODEM cod. CT3900113

External modem to connect to PC for telemonitoring functions



WIRE ALARM SYSTEMS

MP110: FROM 8 UP TO 56 INPUTS

Expansions

ES100 cod. MP7310111

8 serial input extension unit

- Expansion from 8 alarm zones, Takes a BUS on output for connecting the interface modules which can be placed inside the detectors (UR1Z) and capable of taking back to the control unit the alarm and tamper information for every detector.
- Inputs of parallel expansions are programmable as instantaneous or delayed and they can be memorized, excluded and associated to the managed sectors.
- The expansions are connected through dedicated serial line



ES100

EP100 cod. MP7210111

8 parallel input extension unit

- Allows traditional detector connection (parallel).
- Inputs of expansions are programmable as instantaneous or delayed and they can be memorized, excluded and associated to the managed sectors.
- The expansions are connected through dedicated serial line



EP100



2° level

UR1Z cod. MP6110111

Serial interface module for ES100.

- It can be placed inside the detectors

Accessories

SV108 cod. CT3210111

Vocal synthesis module

KV 100 cod. CT3410111

Voice synthesis kit consisting of microphone and speaker

ILT100 cod. CT4210111

Modulo di interfaccia alla linea telefonica.

IT USB cod. MP9H10111

interface module for connecting the communicator (for MP110 control unit only) to the telephone line

MR 02 cod. MP7910111

2 relais module for TTL o OPEN COLLECTOR NH/NL electrical outputs

IV 4Z cod. MP9610111

Interface board equipped with 4 storable alarms inputs and 4 electric outputs, one for each input. The board transforms the fast signals coming from equipment such as vibrators, shutter sensors, etc into signals manageable by alarm control unit



IV4Z



WIRE ALARM SYSTEMS

MP120 SYSTEM

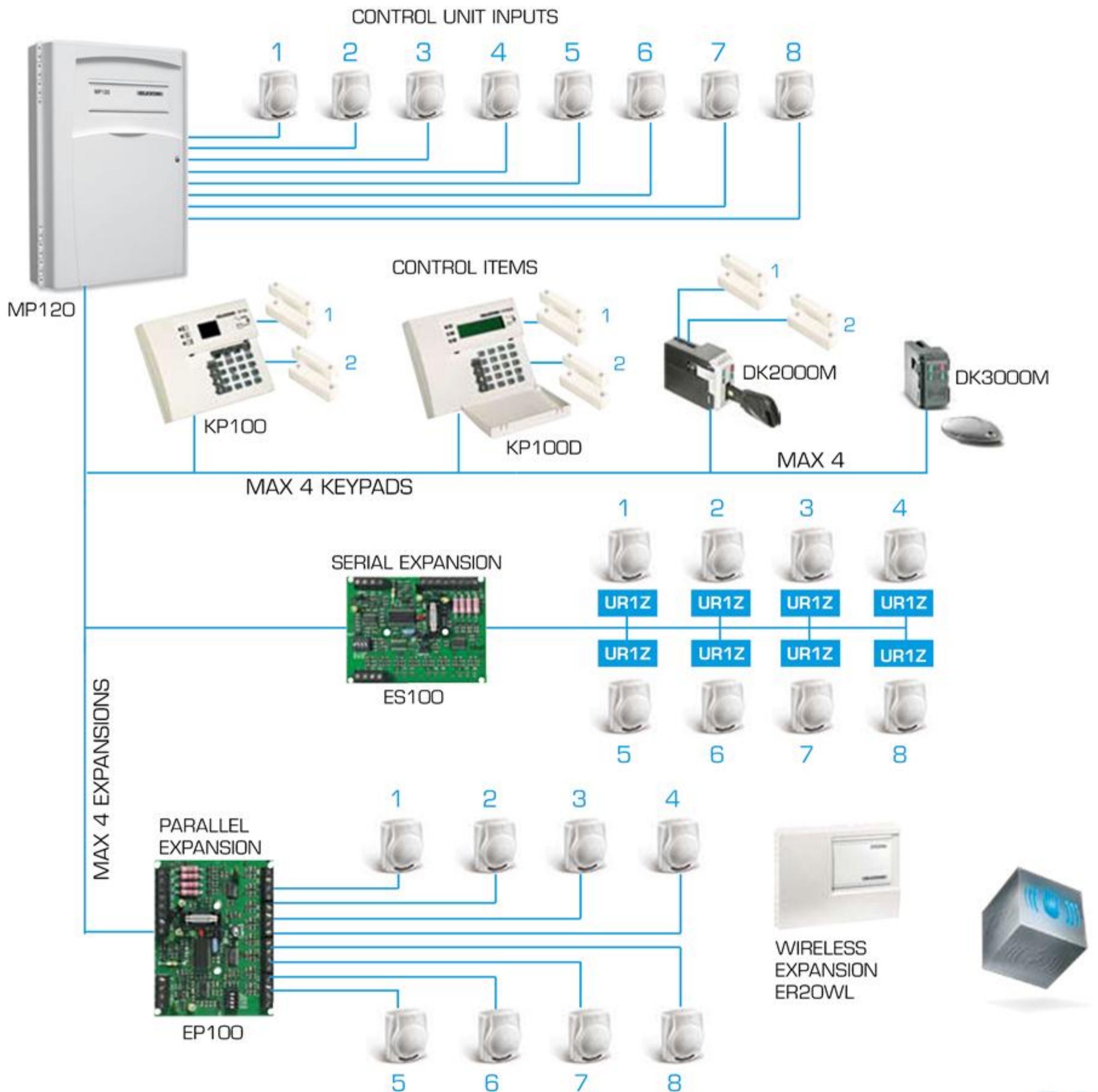


WIRE ALARM SYSTEMS

MP120 SYSTEM: FROM 8 UP TO 56 INPUTS

FOR MIDDLE SIZE ALARM SYSTEMS

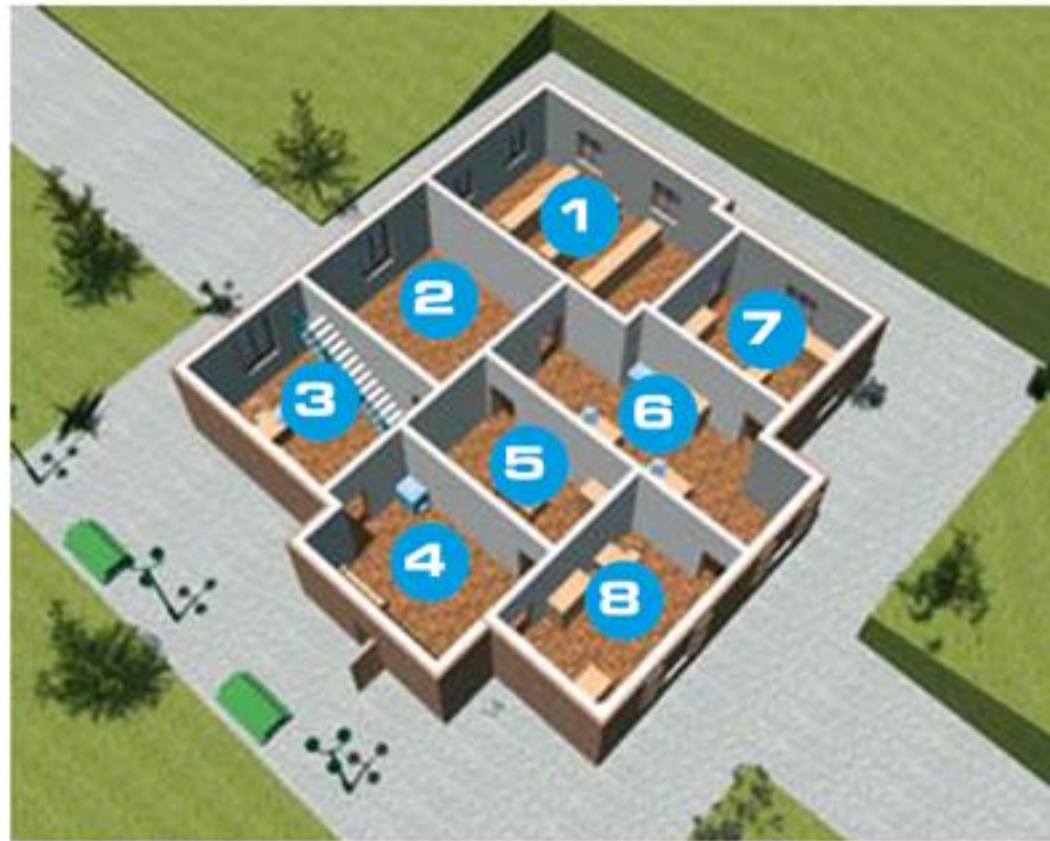
The MP120 system is an antitheft and safety alarm wire system suitable for individual users both in the residential, industrial or service industry fields. The inputs can be configured as unbalanced (N.C.), single-balancing and dualbalancing inputs. The control unit, inserters, keyboards and input/output expansions are connected with one another through a bus. The detectors, sirens and other signalling devices are, on the contrary, connected to the inputs and outputs available in the control unit and the other aforesaid devices. Using the bus makes cabling much easier and allows you to save money, since not all the connections need be terminated directly to the control unit. For instance, if you wish to ensure the antitheft feature as well as local actuation for an annexe (e.g. garage, warehouse, shop), you will just need to run the bus cable to the annexed building, and the bus cable shall be connected to an inserter (or keyboard) and an expansion to which the alarm detectors will be linked. The MP120 system may, if equipped with a communicator, send telephone, voice alarm messages with numeric protocol (to remote surveillance agencies); moreover, it may also be controlled remotely through the telephone (incl. mobile phones) and make use of remote assistance. The system is programmed through any of its keyboards, and also be connecting the control unit to a PC equipped with the Fast Link software, after the control unit has been equipped with the interface with the RS232 port.



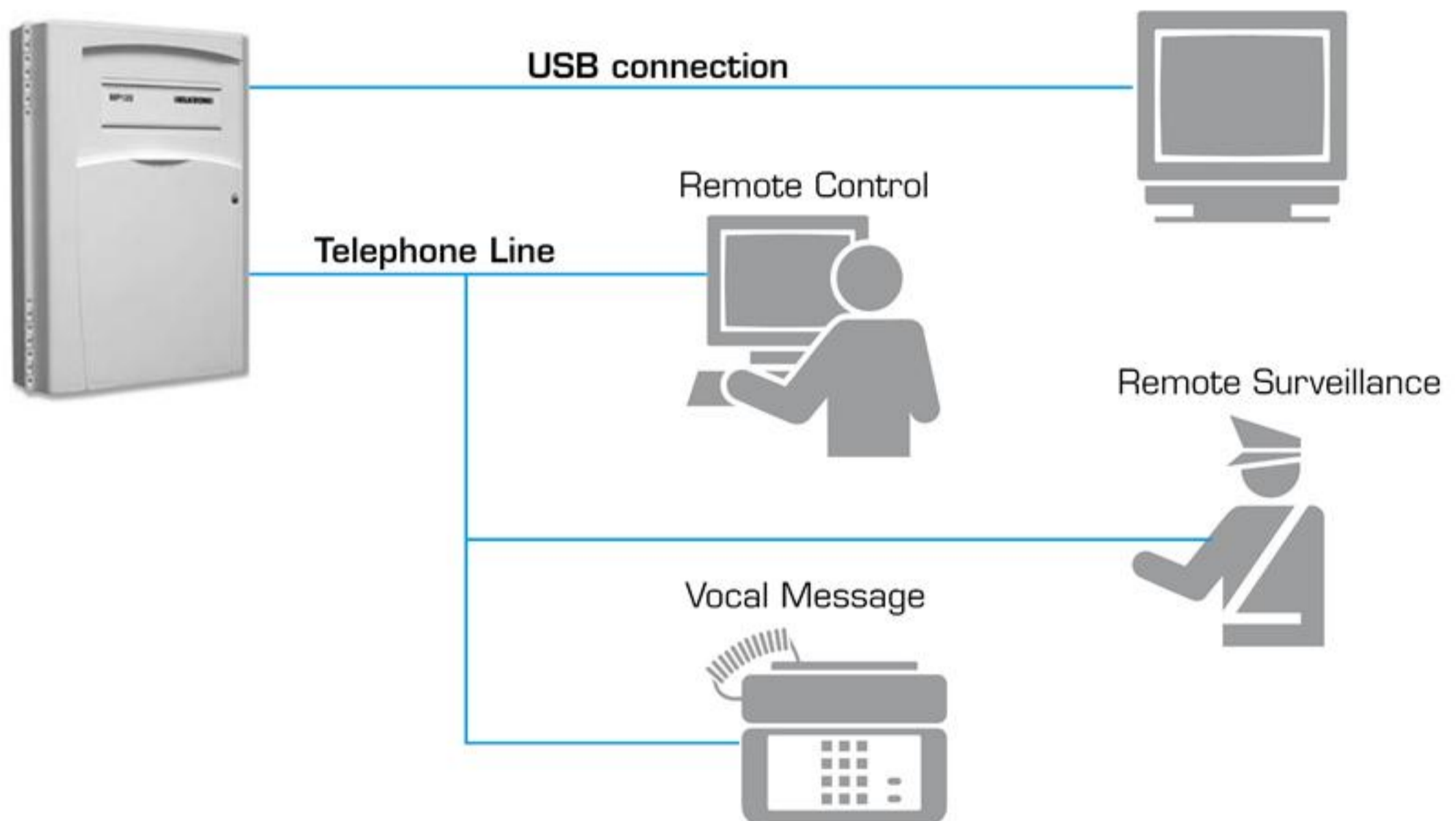
WIRE ALARM SYSTEMS

PROGRAMMABLE PART SET

The system can be subdivided into 8 independently armed partitions.



REMOTE CONTROL - ALARM TRANSMISSION



SOFTWARE HI-CONNECT

SYSTEM LOCALLY PROGRAMMABLE FROM PC OVER USB LINE OR REMOTELY PROGRAMMABLE VIA MODEM OVER TELEPHONE LINE.

Data uploading and downloading through a dedicated, easy-to-use, user-friendly software running under windows 3.1 or windows. the same software is already in use for the remote management of other elkron systems (WL31). This software permits to record and classify customers, systems and operators. It also permits the following: remote control panel programming, control panel program downloading, program verification and editing, program uploading to control panel, system event log downloading, real-time checking of system, input, output, battery and fuse status.

WIRE ALARM SYSTEMS

MP120 SYSTEM: FROM 8 UP TO 56 INPUTS

Control units

MP120 cod. MPO400211

Expandable (up to 56 zones) control unit with communicator (in option) and pc up/down loading via usb and modem

- Control panel is provided with 8 inputs with uncoded assignment + 1 24h input + 1 keyswitch input. It is expandable up to 56 inputs + 5 24h inputs + 4 AUX inputs.
- It is programmable with LCD keypad KP120, local/remote PC and Hi-Connect software.
- It is provided with 5 programmable alarm outputs: 4 open collector electrical outputs and 1 relay output with free exchange.
- It has the capability to split inputs into 8 partitions that can be freely clustered in 3 areas.
- It has the capability to manage up to 4 key readers (independently of either DK2000M or DK3000M model), 4 keypads and 4 input/output expansions by dedicated serial line (with 4 leads).
- It is provided with 8 alarm additional inputs + 1 tamper input + 1 auxiliary input at each input expansion, which can be of either parallel (EP100) or serial (ES100) type. Each expansion has also available 4 open collector electrical outputs.
- It has 2 alarm additional inputs at each key reader DK2000M and at each remote keypad.
- It has inputs programmable as BURGLARY (instantaneous, delayed, last output, GONG), Technological, Fire, silent panic, panic with sirens.
- Commissioning and decommissioning is through LCD remote keypad (with inputs and messages uncoded assignment and display), integrated key, proximity reader, keyswitch.
- It provides following signals: general alarm, failure, network present, battery low, system status, tamper alarm, inputs open, inputs excluded. Signals are provided through leds and/or displays.
- It has available 8 access codes: MASTER, Fitter, Watchman, Users 2, 5, 6, 7, 8.
- Up to 250 events can be stored in EEprom (non volatile) memory.
- Alarm transmission is integrated at control panel (version MP120TG) with communicator with 6 23-digit telephone numbers. Digital transmission is of multi-protocol type. It has available an optional vocal transmission (with module SV108 + KV100) with 15 messages (1 basic message + 14 messages for alarms), as well as telephone calls cycle locking capability from remote location with DTMF code.
- It has entry locking programmable functions in presence of open inputs and inputs self-exclusion.
- It has daily and weekly time-table programmers with the capability to activate/deactivate partition and/or outputs. It has also the capability to put off (1 hour) time-table programmer activation with pre-entry signal (5 min), 4 programming tables (for commands).
- Max length of unit-peripheral serial line: 500 meters (2x0.75 cable sect. for feeder + 2 x 0.22 x data).
- Degree of protection provided by casing: IP30/ IK 02.
- Allocable battery (plastic box): 12 Vdc 6 Ah.
- Switching power supply: 1,5 A.
- Dimensions (H x W x D): 345 x 240 x 79 mm.

MP120TG cod. MP2H00211

Same as MP120 but with alarm transmission through communicator integrated in the control unit

- Vocal transmission in option through SV108 unit.



MP120 / MP120TG



2° level



WIRE ALARM SYSTEMS

MP120 SYSTEM: FROM 8 UP TO 56 INPUTS

Control units

MP120M cod. MP3H00211

Same as MP120 but in metallic box and 2,8A power supply.

- Dimensions (H x W x D): 318 x 422 x 91 mm

MP120M/TG cod. MP4H00211

Same as MP120TG but in metallic box and 2,8A power supply.

- Dimensions (H x W x D): 318 x 422 x 91 mm.

Control Items

KP120D cod. KP4000211

Backlit remote keypad with LCD display.

- Remote keyboard connected on dedicated serial line, equipped with 16-character. Inputs and messages clear naming and visualisation.
- 2 on-board additional alarm zones.
- Max 4 keyboard installable
- Degree of protection provided by casing: IP30/ IK 02.
- Dimensions (H x W x D): 108 x 140 x 45 mm.

DK2000M cod. DK2000111

Key reader for electronic digital key (black)

- Reader connectable on dedicated serial line.
- Max number of readers connectable to MP110 system: 4.
- Max number of programmable DK20 keys Unlimited.
- White version code DK2000M/B - DK2400111.
- Dimensions (H x W x D): 40 x 20 x 50 mm.

DK20 cod. DK1700111

Electronic digital key

- Programmable key to receive a code (more than 4 milliards of combinations available) generated by the control unit at random. Therefore, the number of keys that can be programmed with the same code is unlimited.
- Through the electronic key DK20 it is possible to enable/disable the system totally or partially.

DK3000M cod. DK3000111

Proximity reader for transponder key DK30

- The device features 4 signalling LEDs (one for the system status, three for the area or sector status).
- Dimensioni (H x W x D): 40 x 20 x 50 mm

DK30 cod. DK3500111

Transponder key for full or partial system actuation and deactivation.

Software for remote control

HI-CONNECT cod. SW2400111

Software for computerized local programming and remote control of the MP120 control unit.

MODEM cod. CT3900113

External modem to connect to PC for telemonitoring functions.



MP120M / MP120MTG



KP1000



DK2000M



DK20



DK3000M + DK30



WIRE ALARM SYSTEMS

MP120 SYSTEM: FROM 8 UP TO 56 INPUTS

Expansions

ES100 cod. MP7310111

8 serial input extension unit

- Expansion from 8 alarm zones, Takes a BUS on output for connecting the interface modules which can be placed inside the detectors (UR1Z) and capable of taking back to the control unit the alarm and tamper information for every detector.
- Inputs of parallel expansions are programmable as instantaneous or delayed and they can be memorized, excluded and associated to the managed sectors.
- The expansions are connected through dedicated serial line



ES100

EP100 cod. MP7210111

8 parallel input extension unit

- Allows traditional detector connection (parallel).
- Inputs of expansions are programmable as instantaneous or delayed and they can be memorized, excluded and associated to the managed sectors.
- The expansions are connected through dedicated serial line



EP100



2° level

UR1Z cod. MP6110111

Serial interface module for ES100.

- It can be placed inside the detectors

Accessories

SV108 cod. CT3210111

Vocal synthesis module

KV 100 cod. CT3410111

Voice synthesis kit consisting of microphone and speaker

ILT100 cod. CT4210111

Modulo di interfaccia alla linea telefonica.

IT USB cod. MP9H10111

interface module for connecting the communicator (for MP110 control unit only) to the telephone line

MR 02 cod. MP7910111

2 relais module for TTL o OPEN COLLECTOR NH/NL electrical outputs

IV 4Z cod. MP9610111

Interface board equipped with 4 storable alarms inputs and 4 electric outputs, one for each input. The board transforms the fast signals coming from equipment such as vibrators, shutter sensors, etc into signals manageable by alarm control unit



IV4Z



WIRE ALARM SYSTEMS

MP508 SYSTEM



WIRE ALARM SYSTEMS

MP508 SYSTEM: FROM 8 UP TO 64 INPUTS

THE INTERACTIVE, MULTIMEDIA AND REMOTE CONTROLLED SYSTEM

Elkron introduces MP508, the first security system of the new SIM 500 series. This system features 8 fully programmable zones (expandable up to 64), is both interactive and multimedia, and it can be fully remote controlled thanks to the unique Hi-Connect software. The system allows integration of several devices for home security and automation, like audio/video controls, safety sensors, personal emergency care, etc. MP508: state-of-the art technology for the ultimate innovation, to ensure protection beyond security.

Total Performance Ensuring Simplicity

The system performs a wide range of advanced communications, allowing to monitor and control the security either from an internet website or by any touchtone phone including the mobile phone, hearing a system status report at home or from anywhere around the world. The Elkron-developed unique Hi-Connect software makes it possible to remotely control, program (upload/download) and fully check the system, and allows the additional feature to store/backup the entire system programming into a USB key. Moreover, the on-site system programming, including the set-up and test of all the peripherals, is autonomously and easily done by the control panel without the need of further operations on the single devices. This simplifies installation and maintenance, saving time and money.

High System Flexibility

In addition to its simplicity to install and set-up, the new MP508 system is very fast and flexible – two outstanding strengths. The 8 input zones (which can be expanded up to 64) make the system perfectly suitable for small to medium premises, whereas the possibility to integrate up to 4 video cameras allows the most advanced performances of alarm verification and video surveillance. The "speak-and-listen" performances of the keypads allows the system to activate a communication and make the "environment monitoring" by remote, listening what's going on in the protected area, or to give the possibility to start an indoor/outdoor voice communication.

Tailored Features for Outstanding Security

The new MP508 system has been designed and manufactured to offer such a wide range of features that can easily adapted, or "tailored", to satisfy most of the possible integrated security needs. In addition to the traditional intrusion detection functions, the MP508 system can perform a number of functions for security that's unlike anything else in its range: intrusion detection, alarm verification, video surveillance, fire detection, gas leak prevention, flooding prevention, personal emergency, rescue, etc.

Telephone/mobile phone control

Simple, full system control. Easy, practical voice menu. Immediate identification, in case of phone calls, of the area concerned by the alarm signal. The environment listening function can also be activated with the "speak-and-listen" keyboards.

Hi-connect remote control software

Control unit remote programming, check and control. Provision for transferring the programming to a USB key.

Web management through the pc or mobile phone

E-mailing the images of the area concerned by the alarm. Actuation of the image sending service even at the user's request or through programming.

Connection with the security service

Through numeric protocols.

Videosurveillance function

Thanks to 4 analog video inputs for camera actuation.

Max. System capacity

- 64 inputs • 27 outputs
- 8 sectors • 4 areas
- 8 keyboards • 16 readers
- 32 codes • 32 keys
- 1000 history events

Remote control through pstn and gsm telephone networks

With provisions for sending SMS, vocal and numeric alarms.

Dmtf control management

With vocal guide, as well as management of the environment "speak-and-listen" and caller ID (caller identification) functions.

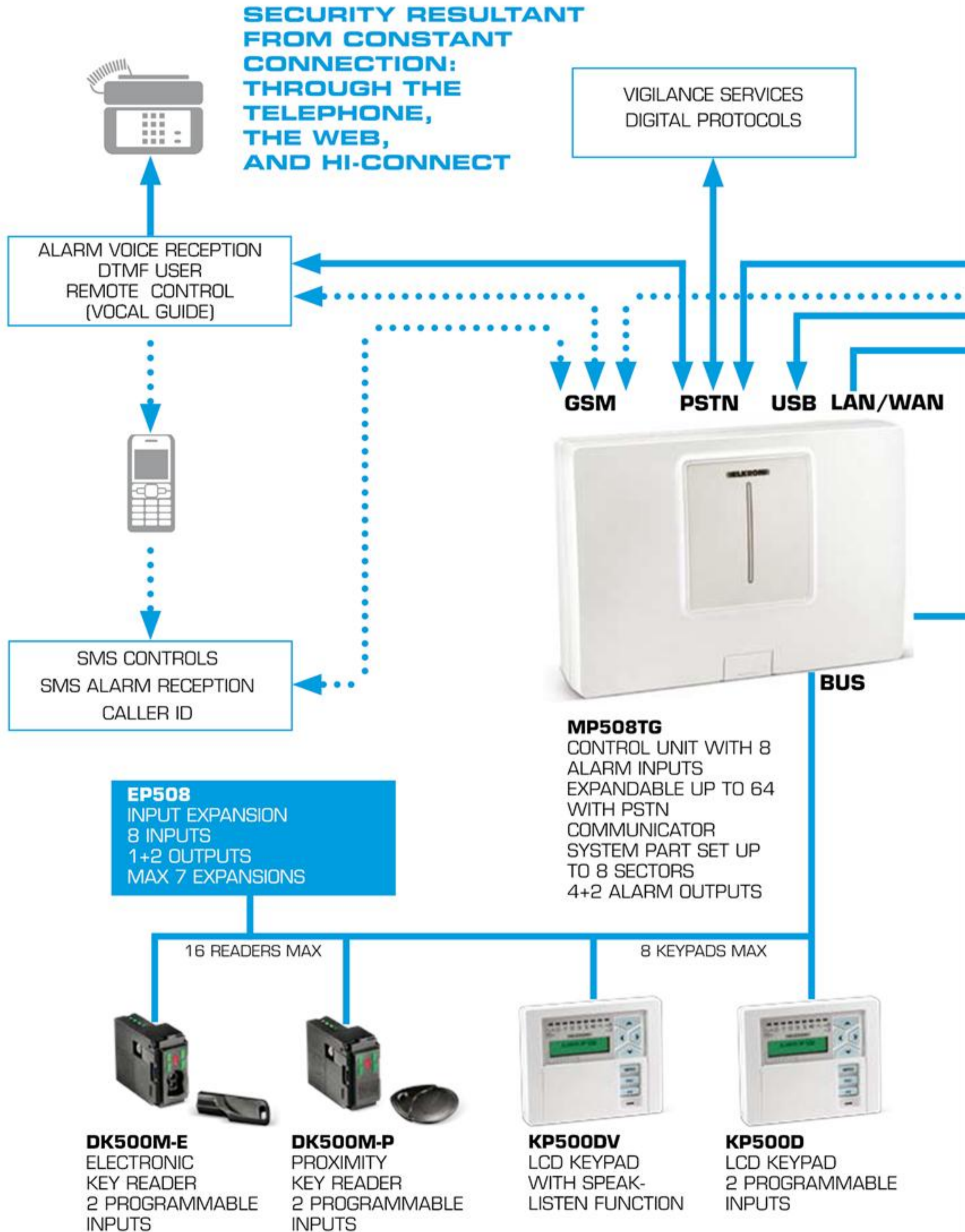
Sms control management

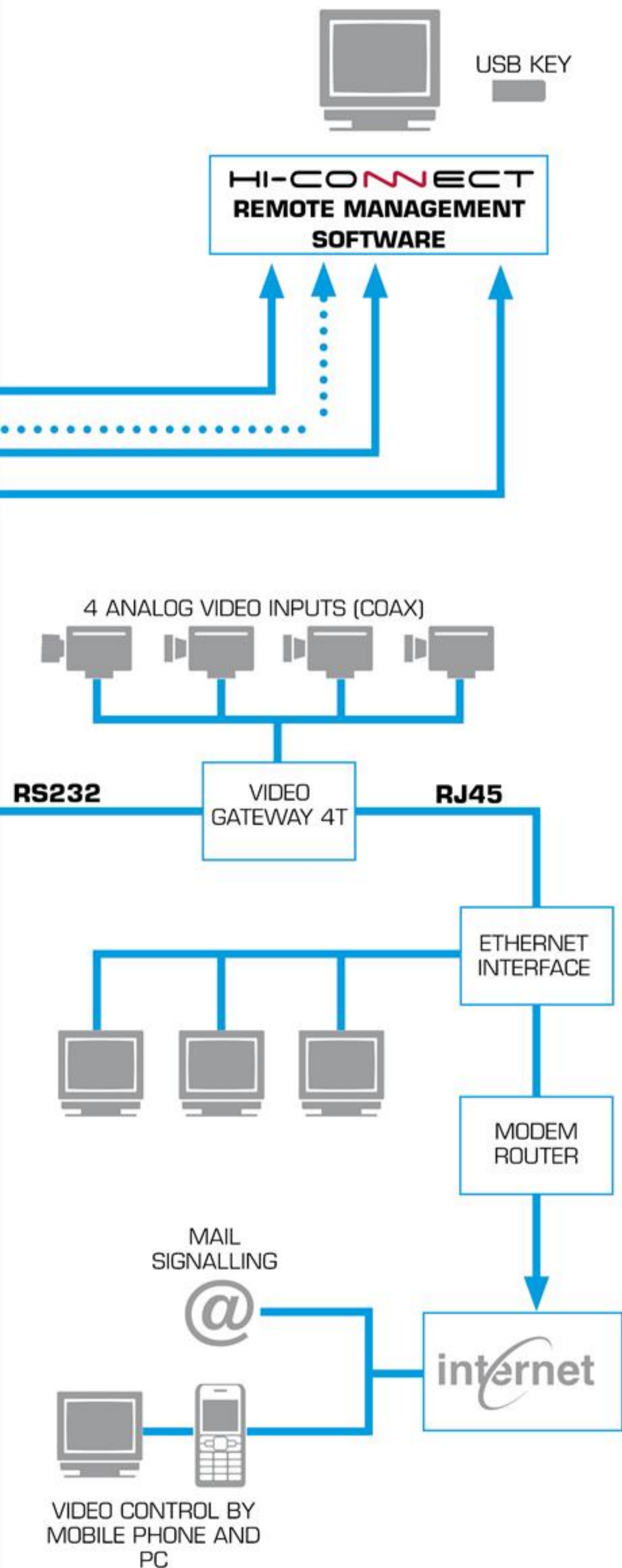
provision for activating the service by sending SMS's.



WIRE ALARM SYSTEMS

MP508 SYSTEM: FROM 8 UP TO 64 INPUTS





MAIN CHARACTERISTICS

- **Fast system start-up:** to acquire the devices it is not necessary to set the addresses with dip-switch. It is sufficient to press their programming button and the control panel will send to the device the assigned address and the factory settings.
- **Service keypad:** it is possible to connect to the control panel a temporary service keypad, by a dedicated connector, for programming or maintenance. The service keypad can be disconnected from the system at the end of the installation, without needing to program again the control panel.
- **Advanced technological alarms:** when a "technological" event occurs, for example the flood of a room, the system can activate specific actions, as for example the water electric valve closing, and also sends the corresponding alarms. In order to manage different situations, the system is provided with three outputs management types.
- **Rescue call:** with a dedicated input it is possible to send a phone call and inform the receiver with a vocal message concerning the help request. If the system is provided with a KP500DV vocal keypad, afterwards it will be possible to call the control panel and communicate in hands-free mode with the person that issued the alarm.
- **Door opener:** it is possible to drive an electric lock with an output configured as "door opener". In this way it is possible to limit the access in specific areas only to authorized personnel. Date, time and user that requested the opening are stored in the control panel.
- **Savings on call cost:** by using the GSM telephone number identification by the control panel, it is possible to generate a command on a specific output. In this way it is possible, for example, to open the automatic gate of the vehicle entrance, by calling the control panel from the car with the mobile and hanging up after the first 3-4 rings, without entering the code.
- **Wide input configuration capability:** every single input can be configured according to type (seven) and configuration (twenty). Every single input of control panel, keypad, expansion, reader, can also manage Elkron VSD3 and MMZO1 inertial detectors and Elkron MFO1 and MFO2 rolling shutter detectors.
- **Vocal help for remote management:** the system helps the user in the telephone management with vocal messages.
- **Service messages playback:** capability to give the user diagnostic information with vocal hands-free messages from the vocal keypad.
- **Video function:** with a video gateway connected to the MP508TG control panel it is also possible to examine the images of four analogic cameras. Images recording, activated by the selected system events, can be sent to PC, mobiles, smartphone, etc, with e-mail.
- **Advanced alarm vocal calls:** capability to send vocal calls with a specific message for single partitions and/or inputs.
- **Automatic functions:** with a time programmer embedded in the control panel, it is possible to set a weekly list of automatic commands. Commands types can be ACTIVATE or DEACTIVATE and can be used, for example, for a garden irrigation system or a boiler for heating. Besides the above mentioned functions, that can be defined as service functions, it is also possible to manage automatically the alarm system arming or disarming, or set time bands in which a specific code or key are not enabled. For example, during holidays the domestic help key or code is disabled.

WIRE ALARM SYSTEMS

MP508 SYSTEM: FROM 8 UP TO 64 INPUTS

Alarm control units

MP508TG cod. MP4K00211

Expandable Control panel (64 inputs max) with integrated telephone communicator, Remotely controlled via internet, Remote video control, Video warning as a result of alarms

- 8 programmable inputs + 1 sabotage input, basic; expandable up to 64
- 6 programmable outputs (2 relays + 4 OC), basic; expandable up to 27
- System part set into 8 partitions
- Management of 32 user codes (from 4 to 6 digits) and 32 keys (electronic DK30 or proximity DK50)
- History file storing 1000 events
- Weekly time programmer, 8 daily controls
- 1 field bus for the connection of: max. 8 display keypads, max. 7 expansions, max. 16 key readers
- Direct connection for service keypad
- Telephone transmission on 12 telephone no., through numerical protocols and/or modem.
- Voice synthesis interface: factory recorded messages for each system input/partition/event, sound BUS for voice functions and ambient listening through keypad (KP500DV), auxiliary voice guide for DTMF remote controls.
- GSM interface with antenna which can be allocated inside the control panel
- TCP/ IP interface for control panel connection with LAN or ADSL modem.
- Web video 4T interface (up to 4 video cameras) for connection with LAN or ADSL modem.
- USB interface for connection with local programming PC
- USB pen drive interface (standard type) to save and retrieve system programming
- HI CONNECT software application for programming and remote management (compatible with Windows Vista ®)
- In compliance with EN 50131 -1
- Rhos compliant
- Allocable battery : 12 Vdc - 7 Ah
- Switching Power supply : 1.5 A
- Dimensions (H x W x D): 238 x 340 x 90 mm

MP508M/TG cod. MP8K00211

Like MP508TG but with metal container.

- Like MP508TG but with metal container.
- Allocable battery : 12 Vdc - 17 Ah
- Switching Power supply : 4 A
- Dimensions (H x W x D): 350 x 490 x 145 mm
- External antenna for GSM module to be fastened on container top rim



MP508TG



MP508M/TG



WIRE ALARM SYSTEMS

MP508 SYSTEM: FROM 8 UP TO 64 INPUTS

Control Items

KP500D cod. KP6000211

Remote keypad with LCD alphanumerical display with 2 lines for 16 characters.

- Back light, contrast and buzzer, adjustable.
- 3 alarm control keys.
- User menu access with closed lid.
- 2 alarm inputs.
- Dimensions (H x W x D): 140 x 115 x 28 mm.



KP500D

KP500DV cod. KP6100211

Like KP500D, but with:

- Connection with sound BUS (as an alternative for 2 alarm inputs).
- Integrated microphone and loudspeaker.
- Emission of recall voice messages.
- Recording listening of alarm voice messages.
- Remote ambient speaking/listening.



KP500DV

DK500M-E cod. DK5000211

Electronic key reader (mod. DK50)

- 5 LEDs: 4 LEDs to view system state + 1 alarm memory
- 2 inputs onboard, programmable
- Compatible with whole range of Elkrone civil electric line adapters.
- Available in white color version DK500M-E/B cod. DK5100211



DK500M-E

DK50 cod. DK5400211

Digital electronic key with univocal code (over 1099 billions of possible combinations)

- ABS material
- Possibility to customize (Kit DK30 50)



DK50

DK500M-P cod. DK5200211

Proximity key reader (mod. DK30)

- 5 LEDs: 4 LEDs to view system state + 1 alarm memory
- 2 inputs onboard, programmable
- Available in white color version DK500M-P/B cod. DK5300211



DK500M-P

DK30 cod. DK3500111

Proximity key 125 KHz (more than 281.000 billion of combinations)

- ABS material
- Degree of protection IP68 - IK08.
- Possibility to customize (Kit DK30 50)



DK30

KIT DK30-50 cod. KT9410111

Color inserts to be fitted on DK50/DK30 keys for their customization



WIRE ALARM SYSTEMS

MP508 SYSTEM: FROM 8 UP TO 64 INPUTS

Expansion

EP508 cod. MP7K00211

Parallel expansion which can be connected with system BUS where it is possible to connect traditional devices

- 8 inputs + 1 sabotage, programmable
- 3 outputs (1 relay + 2 electric), programmable



EP508

Accessories

SV500I cod. CT5610111

Voice synthesis board which can be connected with the control panel through the suitable connector (headphones provided)

- Factory recorded messages for each system input/partition/event
- Sound BUS for voice functions and ambient listening through keypad (KP500DV)
- Auxiliary voice guide for DTMF remote controls



SV500I

IMG500 cod. CT5510111

BI-BAND GSM module (900/1800 MHz)

- IMG500 is the interface allowing to connect the MP508TG and MP508M/TG control panel to the GSM network, for sending of alarm signalling and reception of remote commands. The interface is provided with a dual-band GSM transmitter/receiver (900/1800 MHz) and with an antenna to be installed in the control panel. If the control panel position does not ensure for the GSM module a sufficient field strength, it is possible to use the GSM 1 antenna (not provided). If the GSM module is used with the MP508M/TG metal control panel, it is necessary to replace the provided antenna with the GSM 2 antenna used in case of metal housing or to use GSM 1 antenna (both are not provided).



IMG500

IT USB cod. MP9H10111

USB interface.

- IT-USB interface allows to connect a computer to the MP508TG or MP508M/TG control panel for control panel programming.

IT USB/KEY cod. MP5K10111

USB interface for connection to PC and to USB IT-USB/KEY keys.

- The IT-USB/KEY interface allows to connect a computer to the MP508TG or MP508M/TG control panel for control panel programming and a USB key (Pen Drive) for save and restore of the whole system programming.



ITUSB

CAVO X KP cod. CV3010111

- The cable for service keypad is used to connect the control panel to the service keypad (KP500D or KP500DV, as you like), in order to carry out the system programming. The cable is provided with a connector compatible with the SERVICE connector of the MP508TG or MP508M/TG control panel motherboard.

MODEM cod. CT3900113

External modem to be connected with the PC for remote management.

MODEM/ROUTER cod. CT5200111

External modem/router suitable for gateway video applications



WIRE ALARM SYSTEMS

MP508 SYSTEM: FROM 8 UP TO 64 INPUTS

Accessories

HI-CONNECT cod. SW2400111

- Software for ELKRON control panel configuration, user friendly and easy to understand, working in Windows™ operating environment. Through this software it is possible to record and classify clients, systems and operators. In addition, it is possible to remotely program alarm control panels, acquire the resident configuration, check it, change it and then load it again in the control panel (up/downloading), acquire the system event memory, check in real time the system state, the input and output state, the battery and fuse state. Integrated function for technical alarm reception (modem needed).

VIDEO GATEWAY 4T cod. VDO800111

Video module with 4 inputs for analogue video cameras

- The Video gateway is used to include in the system up to 4 analogic cameras, whose images can be seen in real time, or recorded and then examined on PC, mobile and other devices (attached to e-mail sent by the gateway).
- The images recording is activated by the selected system events (intrusion, time commands, remote commands etc.). Images resolution is 640 x 480 pixel max. For connection to Internet is available an Ethernet connector, that allows to connect the video gateway to a LAN network or a modem or an ADSL router. The video gateway is connected to the MP508TG or MP508M/TG control panel with a dedicated interface.
- The connection of the Video gateway to the control panel is alternative to the connection of the Ethernet interface.
- Dimensions (H x W x D) 238 x 340 x 90 mm.



VIDEO GATEWAY 4T

INTERFACCIA ETHERNET cod. IT1200111

Interface which can be connected with the control panel

- Interface which can be connected with the control panel set for the connection with LAN or ADSL modem (not provided. System management through HI CONNECT software application).

ANTENNA GSM 1 cod. ANO300111

Remote antenna

- GSM 1 remote antenna is provided with bracket, screw anchors for wall mounting and 5 m of cable assembly with SMA-M connector compatible with GSM IMG500 module. It is useful when the control panel position does not ensure for the GSM module a sufficient field strength.

ANTENNA GSM 2 cod. ANO400111

Remote antenna for metal housing

- Antenna for metal housing with SMA-M connector compatible with the GSM IMG500 module. It must be used with the IMG500 module in the MP508M/TG control panel with metal housing.



WIRE ALARM SYSTEMS

MP200 SYSTEM

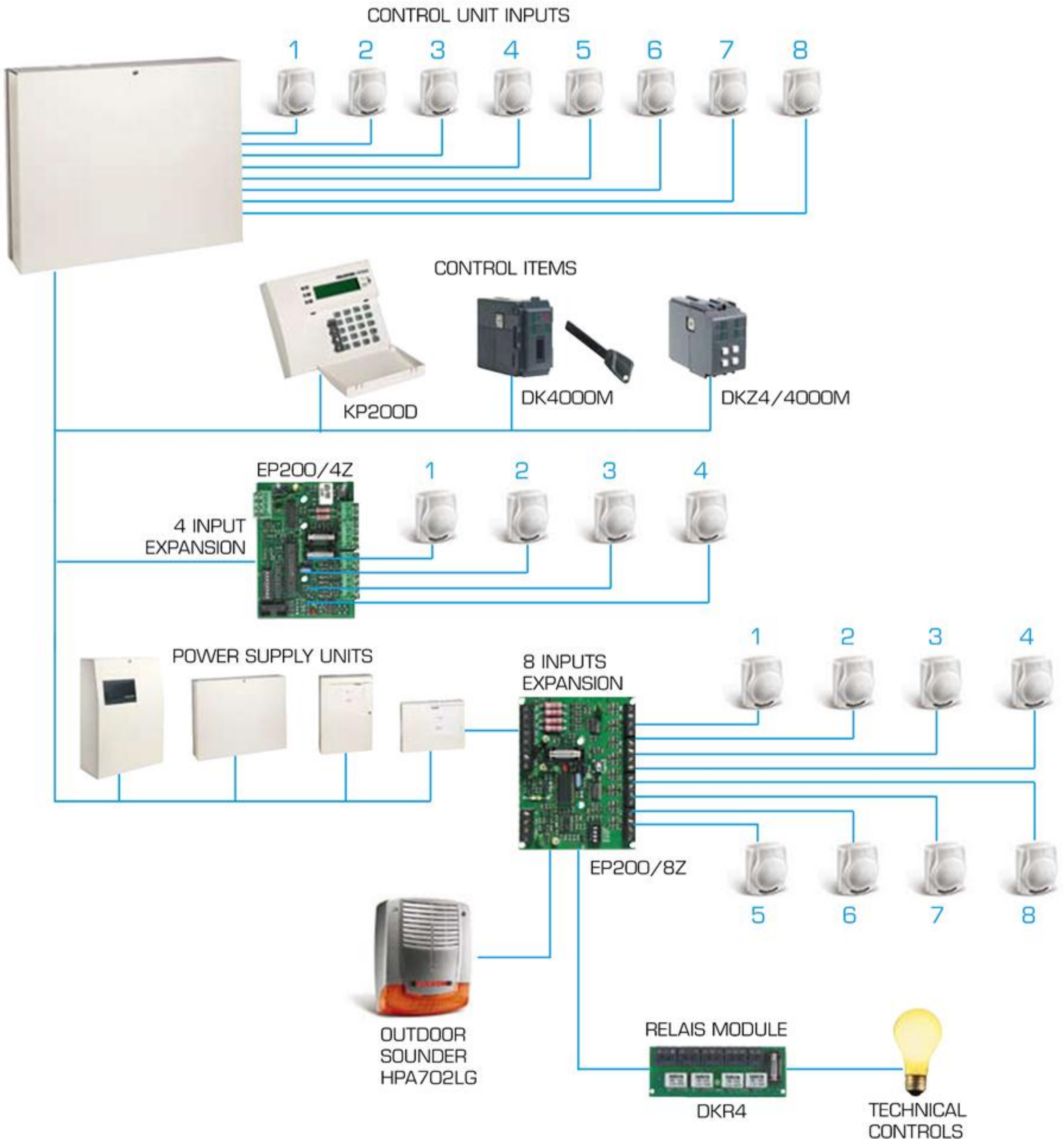


WIRE ALARM SYSTEMS

MP200 SYSTEM: FROM 8 UP TO 256 INPUTS

MULTI-FUNCTIONAL AND MULTI-USER REMOTE MANAGEABLE SYSTEM

A family of control units with 8 base zones, expandable up to 64 or until 256 with part set up to 12 groups. Here is the Elkron MP200 system for extended installation systems. In fact, the control units MP200 are expandable on serial line and have a complete range of common devices and for the plant management. The system is totally Remote manageable thanks to the keypad with LCD display, optic-digital key reader on the serial line and access with electronic mechanical key. The weekly date-time scheduler on monthly and annual base, permits the automatic enabling and deactivation of sectors. The hour calendar, instead, allows a complete recording of chronological event log of 300 or 1000. The use of the modem communicator permits remote Tele-management, while RS232 door offers Tele-management and local programming. MP200 is really a complete system, endowed with telephonic transmission with vocal synthesis, and it can also be used by up to 24 key readers, 12 partialisers and 24 remote keypads.



WIRE ALARM SYSTEMS

MP200 SYSTEM: FROM 8 UP TO 256 INPUTS

EASY TO USE

The guided menu on the keypad display allows an easy use with regard to the system programming and management. The clear writing of the name of the single zones (e.g. IR WAREHOUSE) , single codes and/or keys (e.g. JOHN DOE) and single sectors (e.g. OFFICE AREA) enables the final user to identify quickly and univocally the alarm or operation to be carried out.

MULTIFUNCTION

The zones and outputs are individually programmable to manage alarms or different conditions such as theft, 24H theft, tamper, robbery, fire, technical alarm, technical control, social alarm, On-Off, failure and other functions.

MULTI USER

Possibility of action at the same time from different key readers and/or different keypads. Management of sub-systems (separated plants) with one control unit, each of which can be in turn subdivided into one or more sector.

REMOTE MANAGEMENT

Through the Personal Computer and the Fast-Link Telemangement software the engineer can remotely program and check the different systems installed through transmission (modem) on telephone line. All programming data can be loaded and unloaded, zones can be bypassed and reentered, output and battery tests can be made, the situation of the plant status and of the event log can be requested, output and battery tests can be made , etc.

ALARM TRANSMISSION

The MP200 system can transmit alarm conditions on telephone line programmable in three different ways: via modem to a centre equipped with personal computer and Fast-Link software; with DTMF numeric protocol (chosen among the various available on the board); to a telemonitoring centre with messages recordable in voice synthesis. In the modem and numeric transmission (for those protocols allowing it) the data transfer to the receiving centre requires the "point-point" information, i.e. relevant to every single alarmed zone.

MODEM - COMMUNICATOR STM200

Module for alarm telephone transmission, for remote control and for system remote programming.

CLOCK CALENDAR AND TELEPHONE PROGRAMMER

The MP200 system is provided with calendar clock for the chronological classification of the events and the control of the time programmer. This programmer offers a high management flexibility through different and fully programmable daily and weekly timetables. In addition to the antitheft system arming/disarming, it can be associated to other functions, such as technical control.



WIRE ALARM SYSTEMS

MP200 SYSTEM: FROM 8 UP TO 256 INPUTS

Alarm control units

MP200/64 cod. MP6300111

Expandable (up to 64 zones) microprocessor based high security system

- Microprocessor based control unit provided with 8 zones, expandable up to 64 using two kind of expandable cards: 4 zone input/3 outputs and 8 zones input/6 outputs
- Fully programmable zones, as immediate, timed, final door, panic, technical, social alarm, pre-alarm
- Programmable part set up to 12 groups.
- Single and double input balancing
- Fully programmable facilities: AND facility, COURTESY LIGHT facility, PRESENCE SIMULATION facility, CHIME facility
- Up to 16 remote keypads: LCD message keypads with backlight
- Plain language display of system conditions and messages, plain language instructions for system operations.
- Up to 16 integrated optical key readers and up to 8 partialiser for full ON/OFF system control by optical key
- Access control function through DK40 optical keys
- Clock calendar function.
- Timer programmer for various events, such as group ON/OFF, access control, patrol passage, technology output switching
- Up to two independent RS485 serial bus lines for system expander control
- One built-in RS232 serial port for local PC or printer connection
- Plug on modem/digital communicator and speech dialler
- System locally programmable from a PC over RS232 line or remotely programmable via modem (in option) over telephone line: data uploading and downloading through a dedicated software running under WINDOWS
- Allocable battery: 12Vdc - 18Ah.
- Power supply: 2,8 Ah.
- Dimensions (H x W x D): 318 x 422 x 91 mm.

MP200/64-OM cod. MP6200211

As above but in larger case suitable for a 12 V - 27 Ah battery

- Dimensions (H x W x D): 447 x 324 x 148 mm.

MP200/256 cod. MP6500211

As above with the following differences:

- Expandable up to 256 zones.
- Programmable part set up to 24 groups.
- Up to 24 remote keypads.
- Up to 24 integrated optical key readers and up 16 partialisers.
- Up to three independent RS485 serial bus lines for system expanders control.

MP200/256-OM cod. MP6500211

As above but in larger case suitable for a 12 V - 27 Ah battery

- Dimensions (H x W x D): 447 x 324 x 148 mm.



MP200/64



MP200/64-OM



2° level



WIRE ALARM SYSTEMS

MP200 SYSTEM: FROM 8 UP TO 256 INPUTS

Control Items

KP200D/I cod. KP2700211

Backlit remote keypad with 16 digit LCD display for clear message visualisation

- Integrated backlight LCD display, incorporated buzzer.
- The device is used to programme and control the system, to which they may be partially or totally associated (control and management of one or more sectors).
- Dimensions (H x W x D): 140 x 115 x 28 mm.



KP200D



DK4000M cod. DK2100211

Reader for opto-digital key.

- These are devices for optical/digital reading and decoding of DK 40 digital keys. They are used for activating/deactivating relevant sectors each time a recognised optical key is introduced. They are fitted with 4 LEDs for signalling specific system events.
- They are addressed by rotary switches
- It is available in White color version with code DK4000M/B.



DK4000M



DK40 cod. DKO100211

Opto-digital key (patented)



DK40



DKZ4/4000M cod. DK2600211

4 Inputs splitter.

- These devices work in association with DK 4000M readers and are used for partial activation/deactivation of associated sectors.
- They fit 4 keys, each of which is associated to a system sector, and 4 LEDs for signalling sector status
- They are addressed by rotary switches
- It is available in White color version with code DKZ4/4000M/B.



DKZ4/4000M/B



EP200/4Z cod. MP6700111

I/O modules for connection on RS485 serial lines, providing 4 zones and 3 outputs (1 relay and 2 electric)

- All zones and outputs may individually programmed as is the case with the control unit. Concentrators are connected via an RS485 serial line and acknowledged via a programmable dip-switch address.
- The equipment is supplied in modules and is suitable for a range of locations: in special cases (CP8Z), in the back-up supply units or even in the control unit case.
- A direct interface connector to the back-up supply units uses a serial BUS line to convey trouble-shooting information (power failure, low battery, error) to the control unit.



EP200/4Z



EP200/8Z



EP200/8Z cod. MP6700111

Same as EP200/4Z but with 8 inputs and 6 outputs (2 relais and 4 electric)

- The 4 electric outputs present on the EP200/8Z may become relay outputs by installing a DKR4 module with direct coupling connectors.



WIRE ALARM SYSTEMS

MP200 SYSTEM: FROM 8 UP TO 256 INPUTS

Communication

FAST LINK cod. SW1300111

Software for Data uploading and downloading

- Data uploading and downloading through a dedicated easy-to-use, user-friendly running over Windows. The same software is already in use for remote management of other Elkron Systems. This software permits to record and classify customers, systems and operators. It also permits the following: remote control panel programming, control panel program downloading, program verification and editing, program uploading to control panel, system event log downloading, real time checking of system, input, output, battery and fuse status.

MODEM cod. CT3900113

External modem to connect to PC for telemonitoring functions

STM200 cod. CT4110211

Modem Communicator

- Telephone alarm transmission board for remote management and remote programming of the system.

Accessories

DKR4 cod. DK0900211

Relay circuit.

- 4-relay circuit with quick connector coupling. Can be used with EP200/8z, DK41S.

IT485 cod. MP9110211

Serial interface

- RS485 serial interface for connecting remote keypads and/or commutators and partialising devices.

SV108 cod. CT3210111

Vocal synthesis module

KV 100 cod. CT3410111

Voice synthesis kit consisting of microphone and speaker

IV 4Z cod. MP9610111

Interface board equipped with 4 storable alarms inputs and 4 electric outputs, one for each input. The board transforms the fast signals coming from equipment such as vibrators, shutter sensors, etc into signals manageable by alarm control unit.

